

Instruction Manual (ESD-PROTECT)



SOB-S Series

Eng

It is recommended that only persons who have sufficient knowledge and experience such as system designers and responsible persons deal with this product after carefully reading the product manual.

1 The matters of safety

WARNING

- If the equipment is used in a manner not specified by the manufacturer, the protection provided by the equipment may be impaired.
- Do not let the water touch the product. It may cause electric shock or fire due to malfunction.
- When you check or maintain the product, make it sure you turn off the power. It may cause electric shock or fire due to malfunction.
- Secure the product firmly when you want to secure it. There is a possibility of accident due to fall-over or malfunction, etc.
- Do not use the product at the place where dangerous material such as inflammable or ignitable material exists. This product is not the product of anti-explosive type.
- This device is made only for industrial uses. You need to ground the device beforehand. Otherwise, there are in case of malfunction, electric shock, or fire damage.

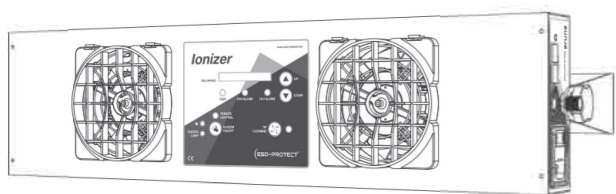
CAUTION

- Do not contact the discharge needle or terminal with power applied. There is a possibility of electric shock or malfunction.
- Handle the discharge needle with care as its tip is very sharp.
- Connect wires referring to the product manual. Wrong connection can cause failures.
- Take precautions as cables of the adaptor, the power line and communication line of each product may disconnect. If the cable is damaged, replace it immediately.
- Do not install the device where the vibration can be detected. Any minor impact or vibration on the device, the malfunction or danger of accident might happen.
- Do not use the product for the purpose outside of the range of the product use. If the product is used for the purpose outside of the range of the use, it can result in the trouble or the shortened service life, or an unexpected problem may occur.

2 Check the package contents

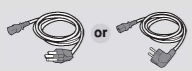
Product compositions

The package includes the following products composition.



Ion Blower SOB-S Series 1ea

※ The image in this manual is SOB-2S



Power Cable SPC-MT-1-001 AC 100V, 50/60Hz, 1.8m / 1ea

Power Cable SPC-MT-2-001 AC 220V, 50/60Hz, 1.8m / 1ea



Ground Cable SGC-MT-2-001 1m /0.6-0.4[mm] / 1ea

Option

If you require extra functions with the basic accessories we provided, you need to purchase optional items in below for further assistant.



RMS Controller RMSU



Remote Controller SBL-RC2

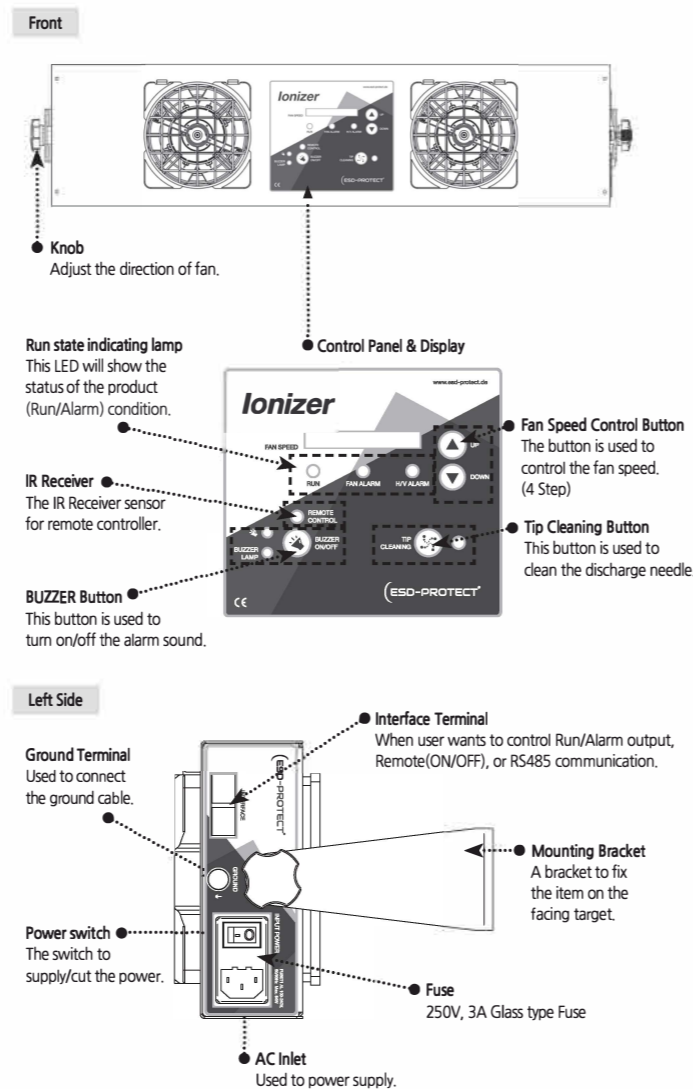


Signal Cable SUC-MT-2-001 10m



UTP Cable SUC-B3-1-001 10m

3 Nomenclatures of parts



4 Installation and Connection

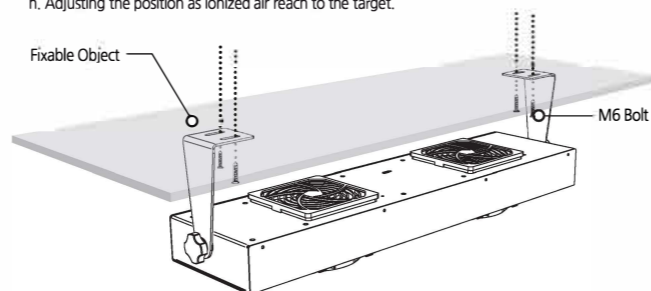
WARNING

- Please adjust the device in the proper position upon the area you install. The item should be laid on the flat surface.
- When installing the device, please be aware of high temperature/humidity.
- If there are any random objects that are closely surrounded or touched the target object, the ionizing performance might decrease. Please consider the area where you install.
- The performance of device will decrease if the ground is insecurely connected. The proper ground connection is always a first thing to consider.

How to Installation

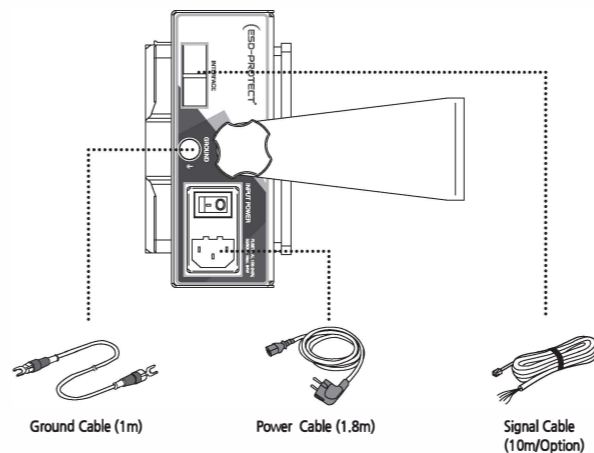
Basic Installation

- Decide the point to install a product.
- Fix Ionizer using the bracket with M6 bolt to ceiling or on the wall.
- Connect the ground cable to a ground terminal.
- Connect the UTP Cable.(option)
- Connect the power to the Ionizer.
- Activate Ionizer via power on.
- Check the operation of the power lamps and fans.
- Adjusting the position as ionized air reach to the target.



How to connect

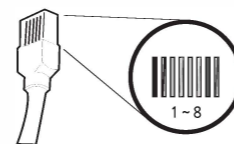
Refer to the figure below to connect the product.



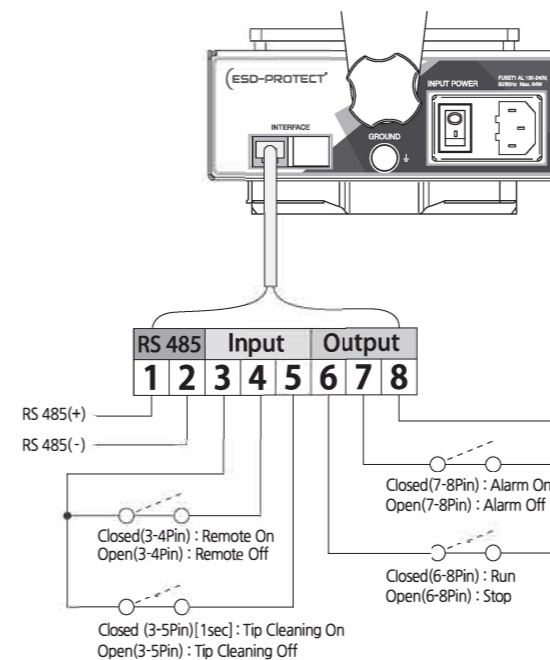
※ Be sure to ground the body of SOB-S Series in order to secure the stable performance of the product and to prevent electric shock. Connect the Signal Cable when you want to output on the outside. The input power of the power adaptor is AC 100~240V, 50~60Hz.

How to connect the Interface (Signal Cable)

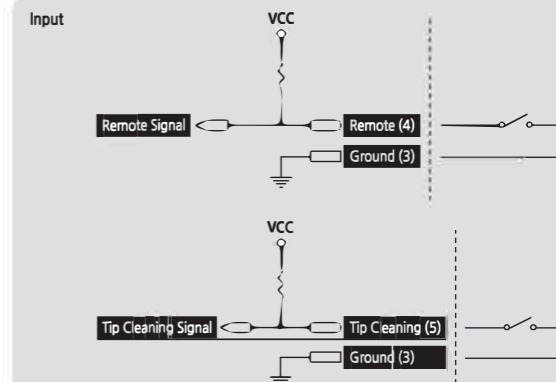
For the specification of the Signal Cable to be used, refer to the table below.



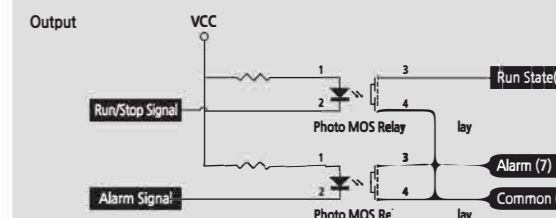
| No | COLOR | Descriptions | Remarks |
|----|----------------|-----------------------------|---|
| 1 | Brown | RS 485 + | RS 485 Communication (Run, Stop, Tip Cleaning Signal) |
| 2 | White & Brown | RS 485 - | |
| 3 | Orange | Ground | - |
| 4 | White & Orange | Remote | If the #4 and #3 pins are short-circuited, the product stops operating |
| 5 | Green | Tip Cleaning | The tip cleaning motor is rotated when #5 & #3 pins are closed more than one second |
| 6 | White & Green | Run State | When #6 & #8 pins are closed, SOB-S is working |
| 7 | Blue | Alarm (Ion Unbalance / Fan) | When #7 & #8 pins are closed, SOB-S is signaled alarm |
| 8 | White & Blue | Common | - |



Input / Output



Remote: The SOB-S Series is stopped when no.4 and 3 are closed.
Tip Cleaning: The tip cleaning motor is rotated when no.5 and 3 are closed more than one second.

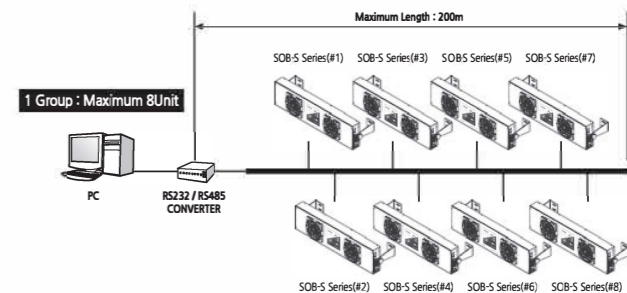


Run State: The Run & Stop signals of SOB-S Series.
Alarm: The Alarm On/Off signals of SOB-S Series.

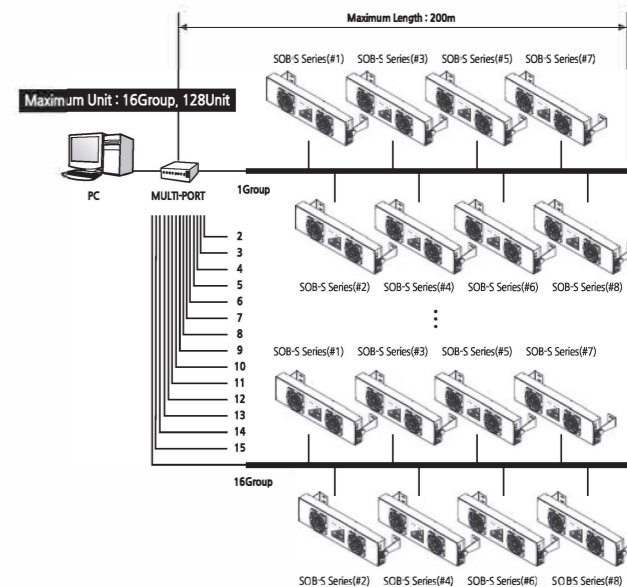
Connection with PC

It is possible to control the Run/Stop, Alarm and Tip Cleaning operation of the SOB-S Series by using a computer.



The method of connecting to computer using RS-232/RS-485 Converter



The method of connecting to computer using Multi-Port



► Address Setting

1. Wait for 10 sec after turning on.
2.  You can access Address setting when you press Up/Down button at the same time.
3.  Depending of the number of LED on, you can check selected Address.
4. You can set up the Address using UP, DOWN button.
5. If there is no move during 3 sec, selected Address will be used and setting mode finishes.

5 Maintenance

Maintenance is an essential item for maintaining its capacity. Please conduct a routine maintenance according to the below description. The life time of a discharge needle can be a difference depending on using circumstance. SOB-S Series needs a routine maintenance and cleaning in case of bad circumstance. (high humidity or dust) Therefore, the discharge needle is recommended to be cleaned regularly. (At least once a month)

CAUTION

- * This device uses the high level of voltage. When operating maintenance, please power off and unplug the device. Otherwise, there might be in case of electric shock or fire damage.
- * The discharge needle is very sharp at the edge. Do not physically(directly) touch the discharge needle.
- * Do not remove the front cover(Grill) when the product is operating. There is a risk of electric shock and accident.

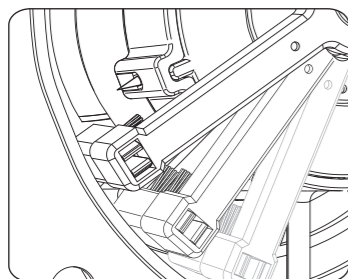
► Tip Cleaning

Tip Cleaning Button

SOB-S Series has a brush to clean a discharge needle. When the "Tip Cleaning" button on the front is depressed, SOB-S Series will clean the discharge needle automatically for 5 seconds after Fan's operation is stopped.

Auto Tip Cleaning

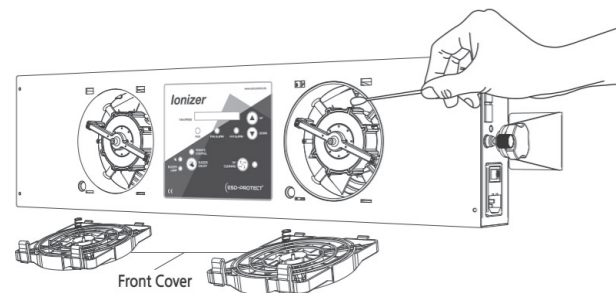
If the Power On status of the SOB-S Series last more than 24 hours, it will automatically clean a discharge needle every 24 hours. Discharge needle cleaning is executed for 3 seconds after Fan's operation is stopped.



Manual Tip Cleaning

Clean a discharge needle in person in case of its serious contamination.

- Be sure to power off before cleaning the ionizer.
- Please open the front cover of a SOB-S Series.
- Soak the cotton swab with alcohol. (do not use acetone)
- Put the swab on the discharge needle and wipe it turning the swab right and left. (take precautions not to apply severe force to the discharge needle)
- Replace the damaged discharge needle.
- After the cleaning, let the alcohol applied to the discharge needle surface evaporate completely and then operate the SOB-S Series.
- Please record the cleaning process as a reference in the file.

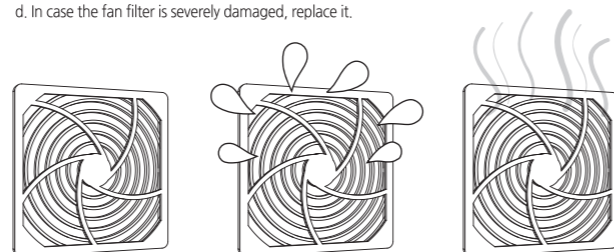


► The cycle of replacing the electricity removal discharge needle

- Check during the discharge needle cleaning and take action.
- Replace the broken or severely damaged discharge needle.
- You can directly replace the discharge needle using a long nose wrench or similar. When replacing, please be careful not to touch edge of the needle it might break easily.
- The discharge needle is very sharp at the edge. Do not physically(directly) touch the discharge needle.
- The general cycle of needle replacement is one year, however, it can vary depending on the environment of use.

► Cleaning of the fan filter

- Be sure to power off before cleaning the ionizer.
- Wash the filter in the running water.
- Completely dry the filter and insert it into the fan cover.
- In case the fan filter is severely damaged, replace it.



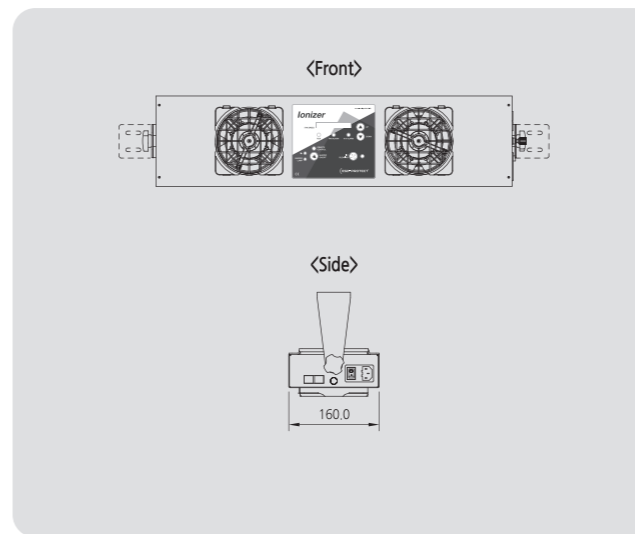
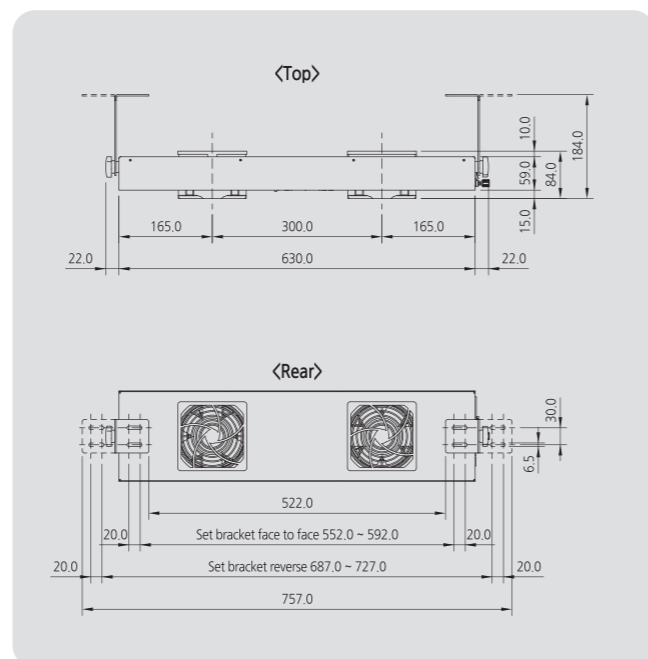
6 Problem solving

► Checklist before called

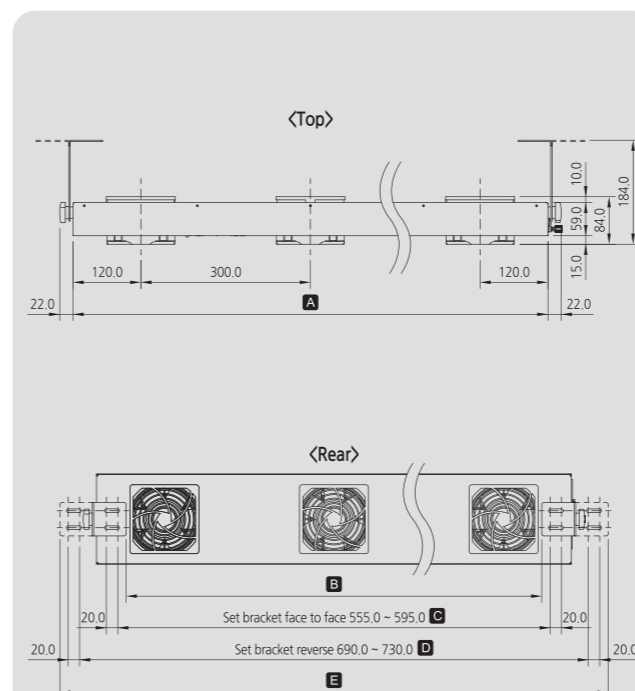
| Problem | Identifying Problem | Solution |
|--|--|---|
| The product does not work. | Is your power cable still plugged in? | Please re-plug the power cable and then turn the device on again. |
| | Was the proper voltage level applied for this set-up? | Please use the proper level of power input for the device (AC 100~240V, 50/60Hz) |
| | Is the switch OFF at left side of the device? | Turn ON the power switch. |
| There is no ionization. | Is there any conductive material around the device? | Please refer to "Installation & Connection, for setting the proper target distance from the device. |
| | Does the installed environment have too high/low level of humidity or temperature? | Please install the device upon the proper working specification. |
| The ionizing performance has been decreased. | Can't possibly ground the device? | Please refer to "Installation & Connection, for(proper) grounding the device. |
| | Any damages or cut on the cables? | You need to replace the cables if it gets cut or damaged. |
| | Any contamination on the discharge needle? | Please refer to "Maintenance, for cleaning the discharge needle. |

7 Dimensions

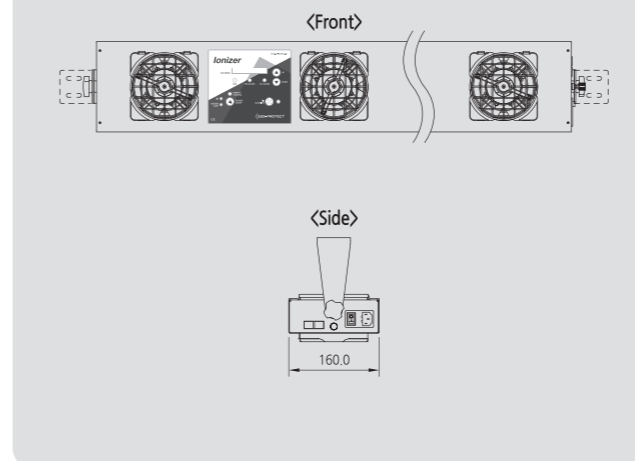
► SOB-2S



► SOB-3S/4S/5S



| No. | MODEL No. | A | B | C | D | E |
|-----|-----------|------|------|-----------|-----------|------|
| 1 | SOB-3S | 840 | 732 | 762~802 | 897~937 | 967 |
| 2 | SOB-4S | 1140 | 1032 | 1062~1102 | 1197~1237 | 1267 |
| 3 | SOB-5S | 1440 | 1332 | 1362~1402 | 1497~1537 | 1567 |



8 Specification

► SOB-S Series

| Parameter | Description / Value | | | | Remarks |
|--------------------------------------|---|--------------------------|-------------------------|--------------------------|-------------------------|
| | SOB-2S | SOB-3S | SOB-4S | SOB-5S | |
| Input Power | AC 100 ~ 240V, 50/60Hz | | | | |
| Ion-Generation Method | Steady-State DC | | | | |
| Power Consumption | 37W | 47W | 60W | 75W | Fan Speed Max |
| Current Consumption | 168mA | 213mA | 272mA | 341mA | AC 220V |
| Air Flow | 8.5m ³ /min | 12.75m ³ /min | 17.0m ³ /min | 21.25m ³ /min | Fan Speed Max |
| Noise Level(dB) | 63dB | 64dB | 65dB | 67dB | 1000mm, Fan Speed Max |
| Ion Balance | Within ±2V | | | | 600mm, Maximum Air flow |
| Ozone(O ₃) Concentration | ≤0.05ppm | | | | |
| Operation Circumstance | 0°C ~ +50°C(32°F ~ 122°F), 35% ~ 85% RH | | | | |
| Weight | 3.1Kg | 4.1Kg | 5.2Kg | 6.2Kg | |
| Material | Aluminum | | | | |
| Electrode Material | Tungsten | | | | |
| Mounting Method | Ceiling or Wall Mount | | | | |
| Function | 4 Step Fan Speed, Tip Cleaning, Auto Tip Cleaning | | | | |
| Alarm Function | Ion Unbalance Alarm, Fan Alarm | | | | |
| Interface | Remote On/Off, Run State, Alarm, Tip Cleaning, RS 485 | | | | |
| Warranty | 1 year | | | | |

※ The appearance and specification of the product may be changed without prior notice for the improvement of the product.



www.esd-protect.de

ESD-Protect GmbH
 Industriestraße 27,
 56276 Großmaischeid, Germany
 T) +49 (0) 26 89 92 870-0
 F) +49 (0) 26 89 92 870-24